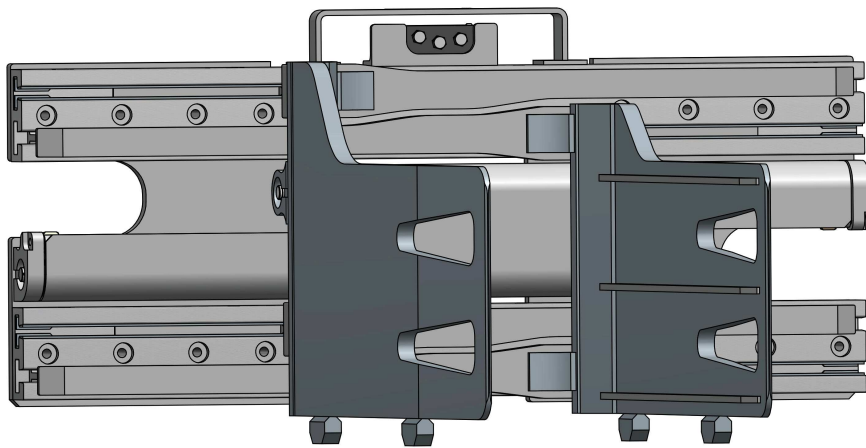
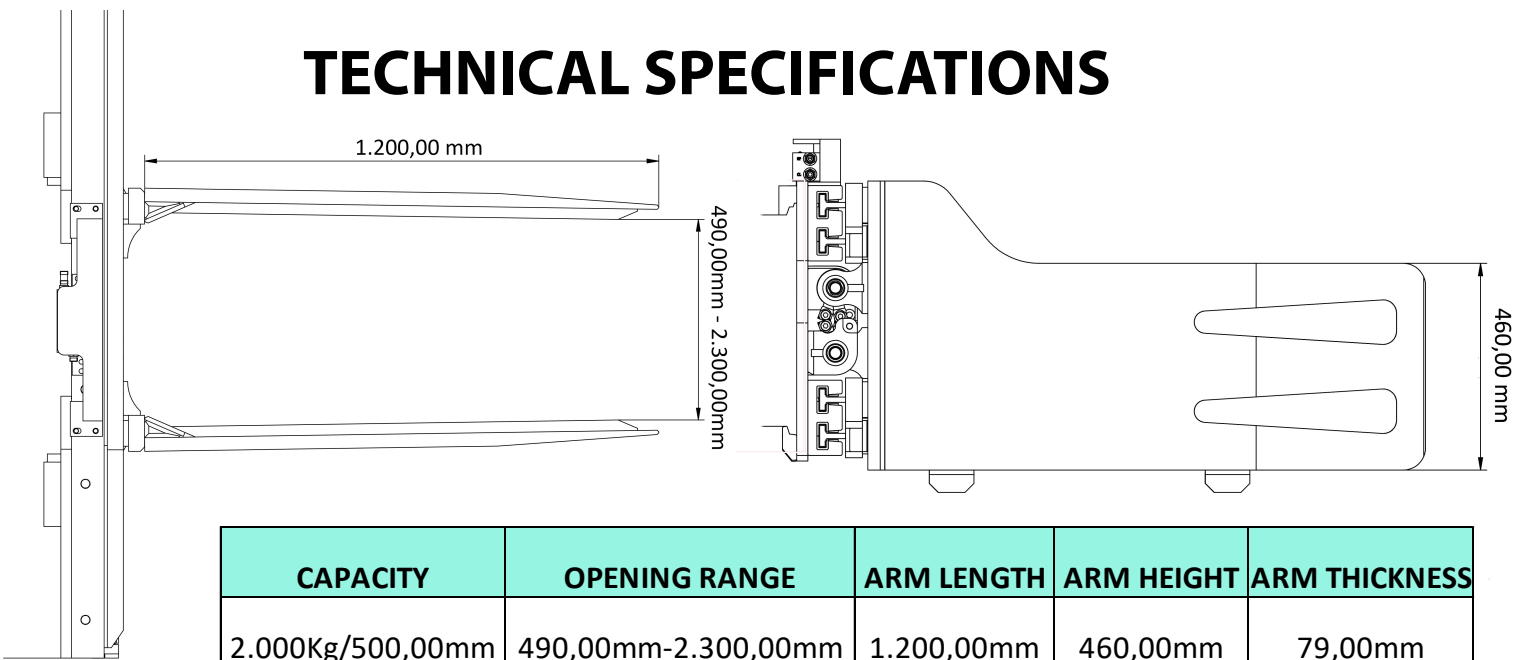


BALE CLAMPS by INTERKLARK



#INTERKLARK
537929

TECHNICAL SPECIFICATIONS



CAPACITY	OPENING RANGE	ARM LENGTH	ARM HEIGHT	ARM THICKNESS
2.000Kg/500,00mm	490,00mm-2.300,00mm	1.200,00mm	460,00mm	79,00mm
HCG	VCG	LOST LOAD	ARM HEIGHT	WEIGHT
288,00mm	228,00mm	150,00mm	450,00mm	755,00Kg



INTERKLARK

11th km Thessaloniki-Athens Nat. Motorway A1
574 00 Sindos, Thessaloniki, Greece

T:+30 2310569600, F:+30 2310795550 E-mail:sales@interklark.gr
www.interklark.gr